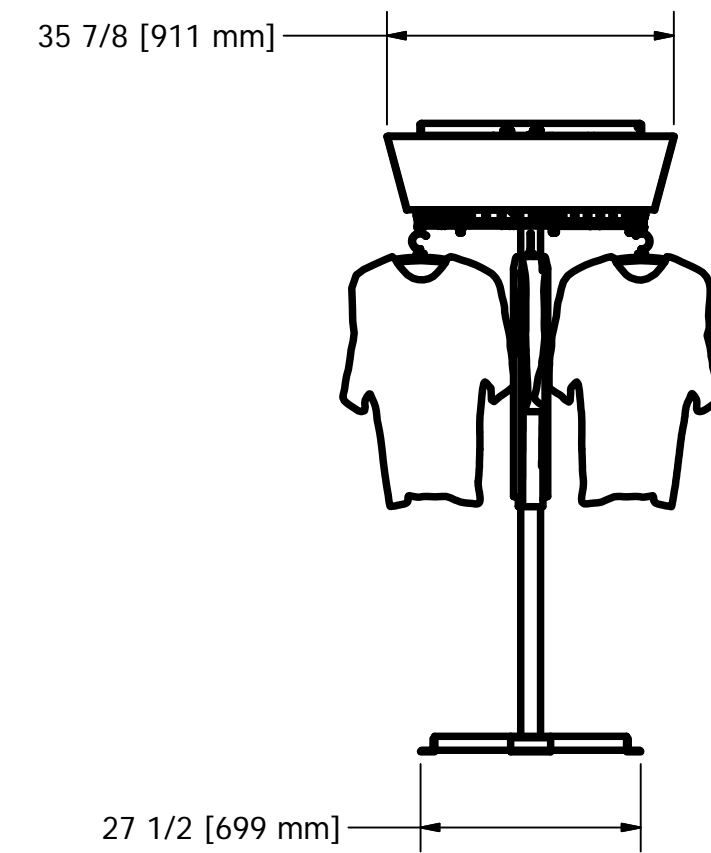
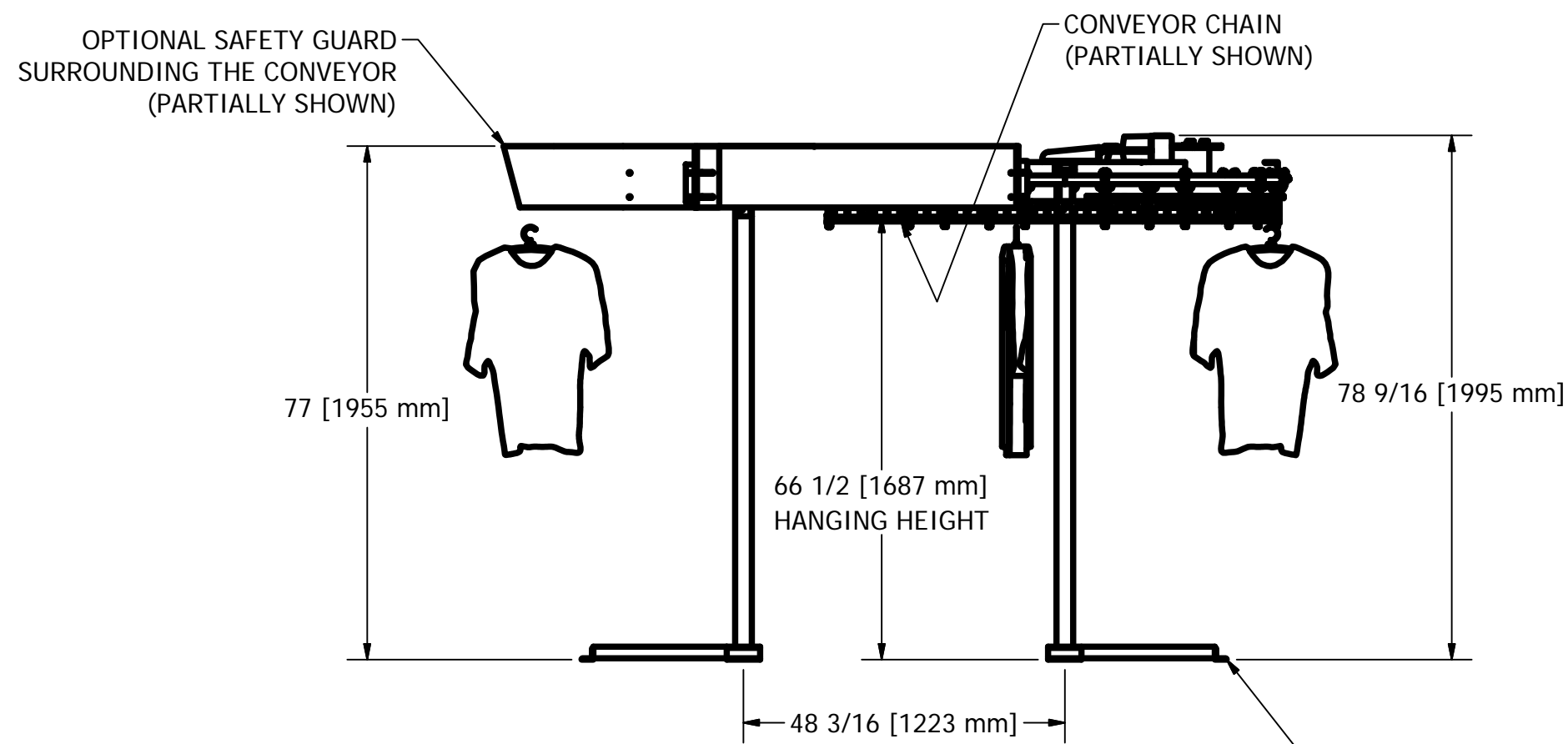
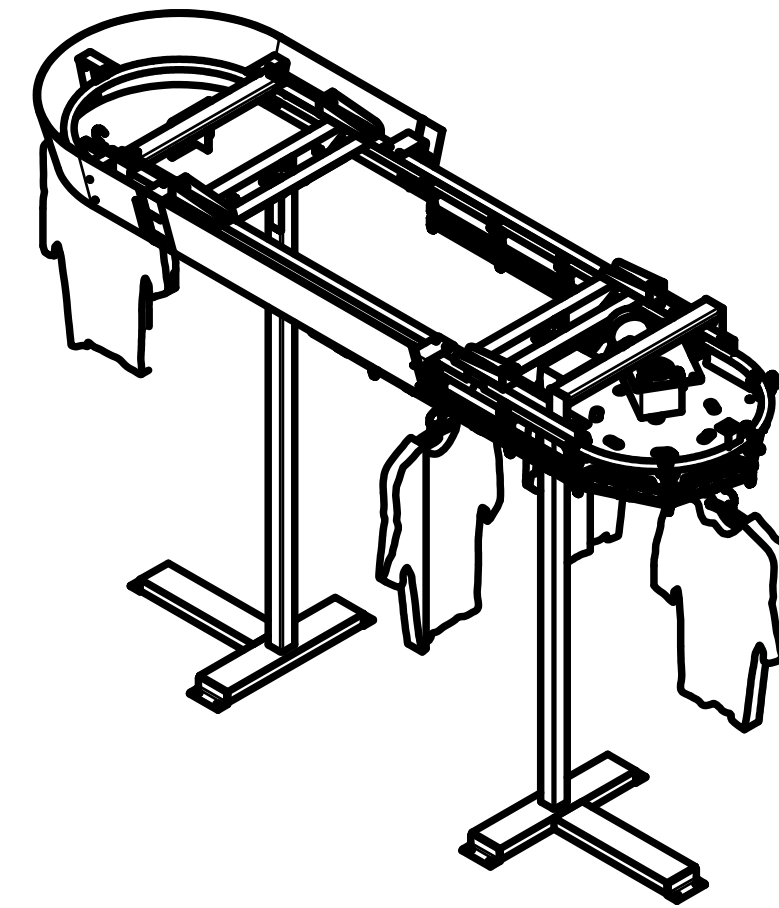
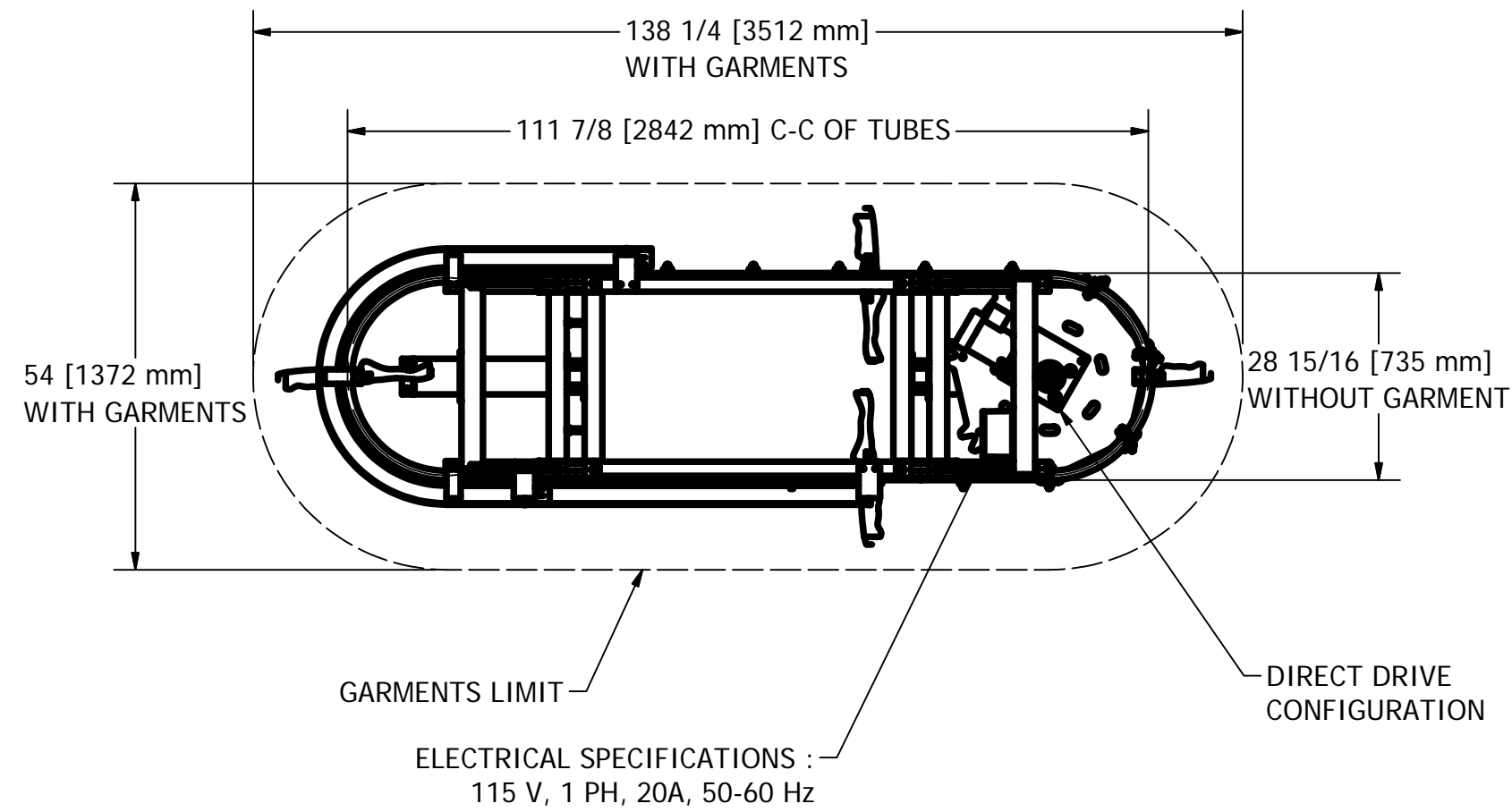


GENERAL NOTES :

CONVEYOR WEIGHT : 319 LB (without garment)

APPROX. STORAGE CAPACITY : 252 GARMENTS



3/8" x 3-3/4 CONCRETE WEDGE ANCHORS REQUIRED (HILTI KB3 OR UCAN WED OR EQUIVALENT), 2-1/2" MINIMUM EMBEDMENT, TYP.

DESIGN	DATE
F. ROULEAU	8/21/2008
DRAWN	DATE
F. ROULEAU	1/12/2010
CHECKED	DATE
GENERAL TOLERANCES	
.X	+/- .030
.XX	+/- .010
.XXX	+/- .005
FRACTION	+/- 1/16

		www.planiform.com	
		TITLE GARMENT CONVEYOR	
SIZE	DWG NO	SCALE	REV
C	NPF-210	1/2" = 1'-0"	