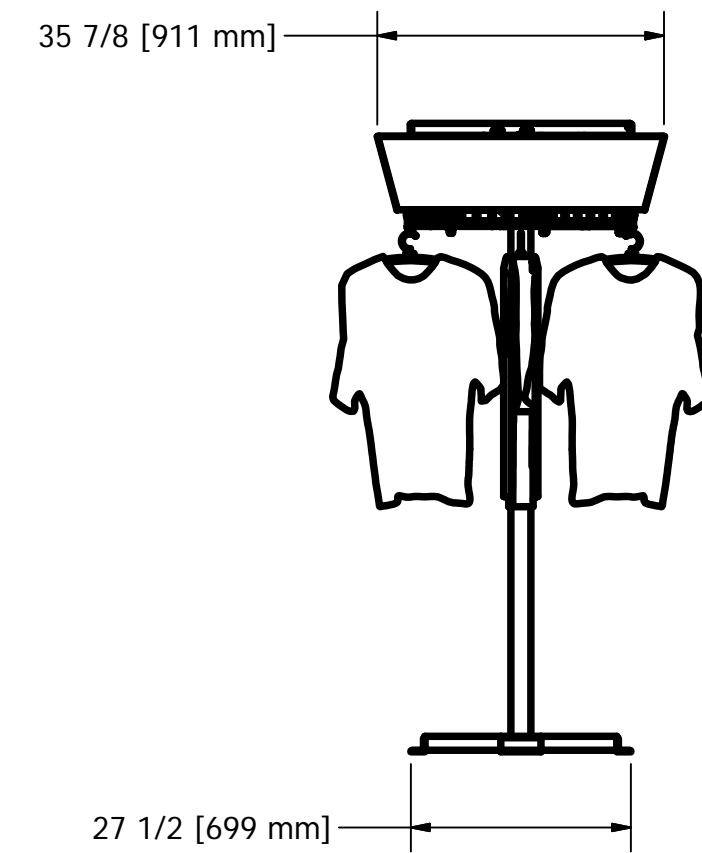
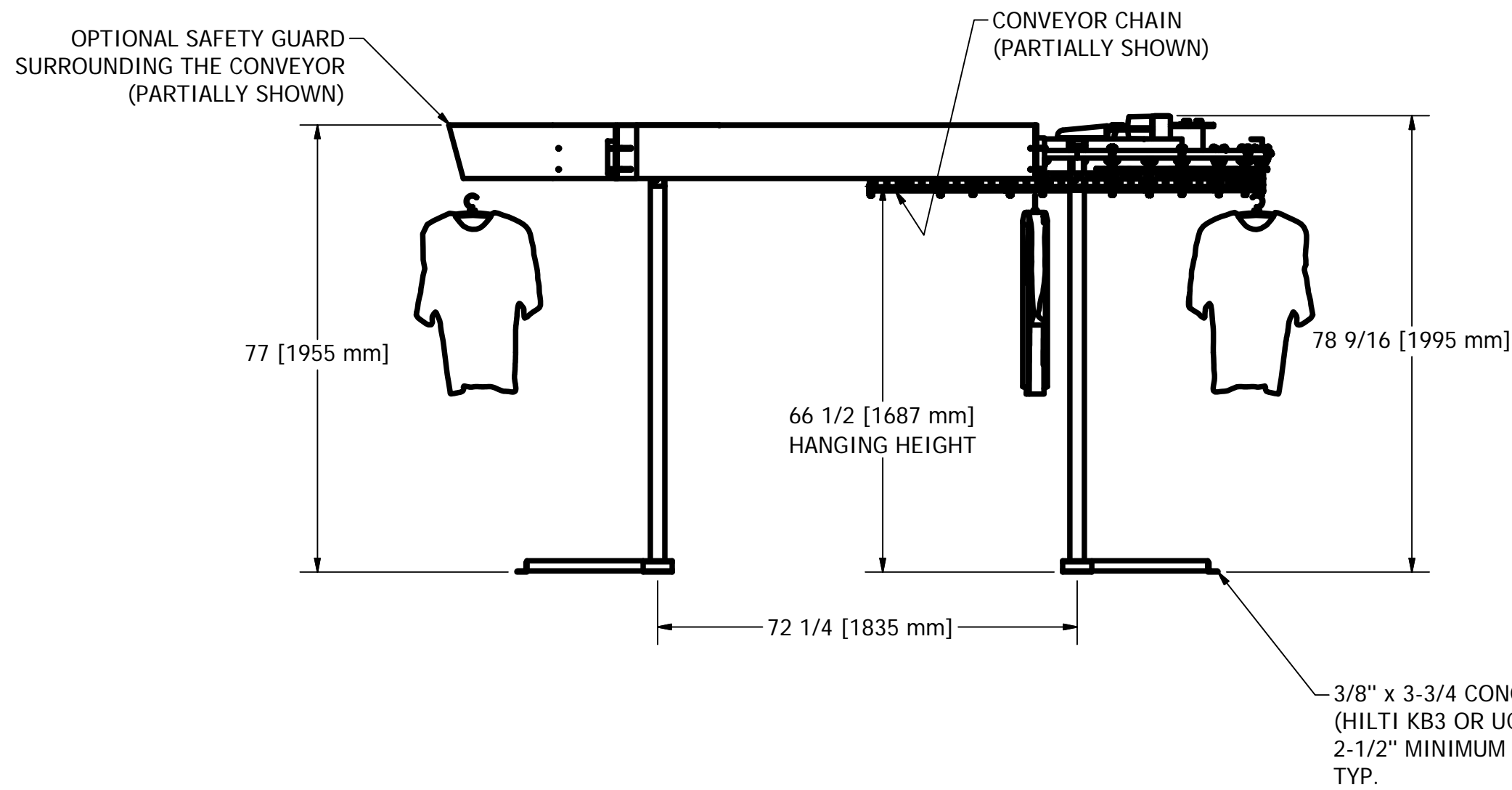
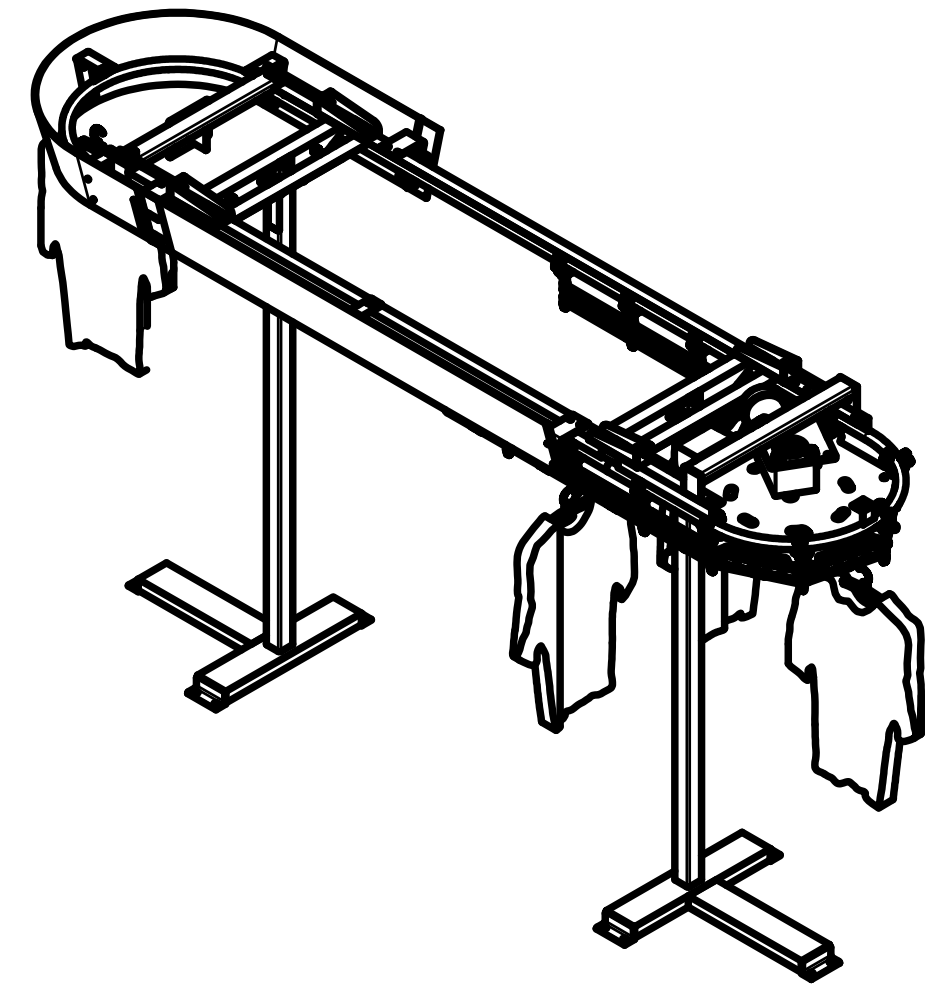
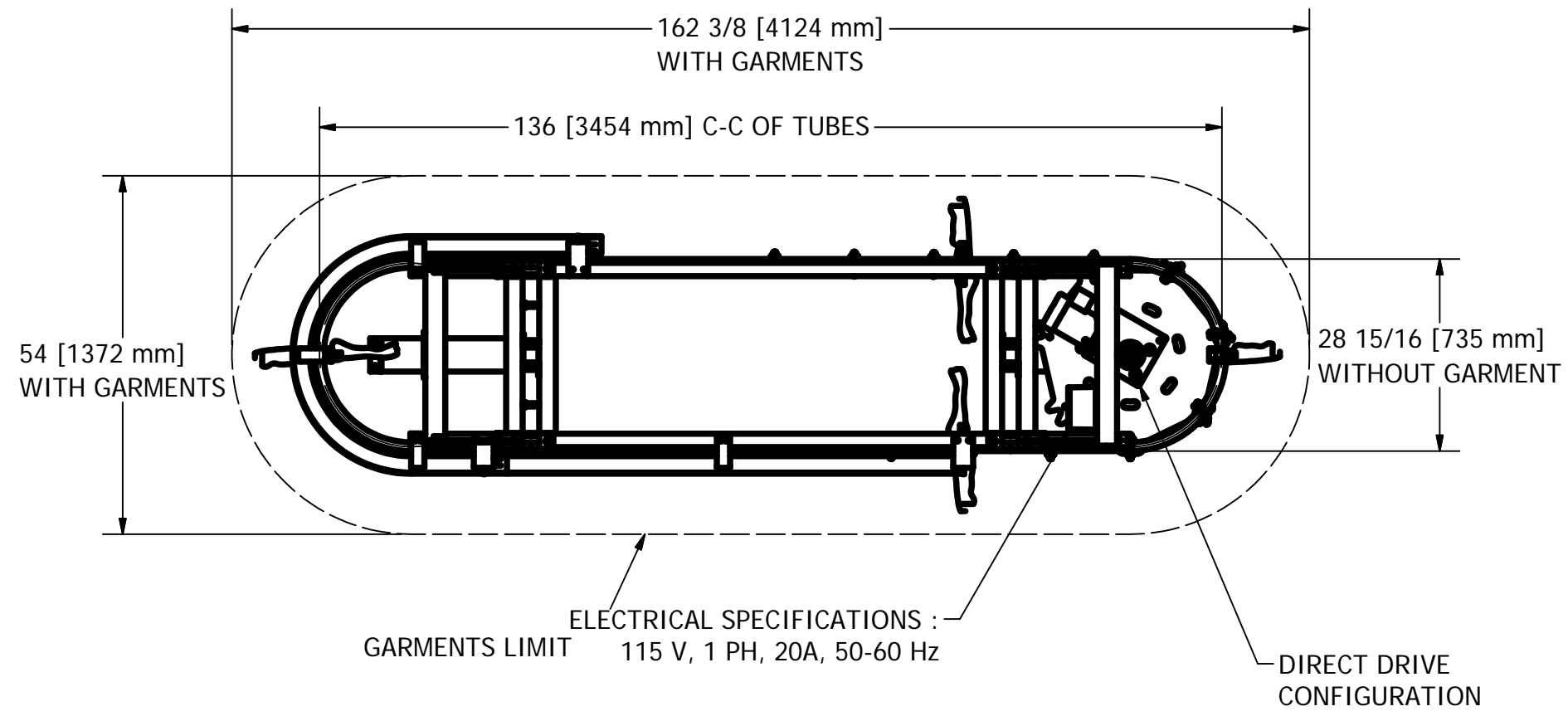


GENERAL NOTES :

CONVEYOR WEIGHT : 345 LB (without garment)
 APPROX. STORAGE CAPACITY : 300 GARMENTS



3/8" x 3-3/4" CONCRETE WEDGE ANCHORS REQUIRED (HILTI KB3 OR UCAN WED OR EQUIVALENT), 2-1/2" MINIMUM EMBEDMENT, TYP.

DESIGN F. ROULEAU	DATE 8/21/2008	Planiform Conveyors	www.planiform.com	
DRAWN S. ROUS.-L.	DATE 1/12/2010		TITLE GARMENT CONVEYOR	
CHECKED	DATE		SIZE C	DWG NO NPF-250
GENERAL TOLERANCES				
.X +/- .030				
.XX +/- .010				
.XXX +/- .005				
FRACTION +/- 1/16				
		REV		