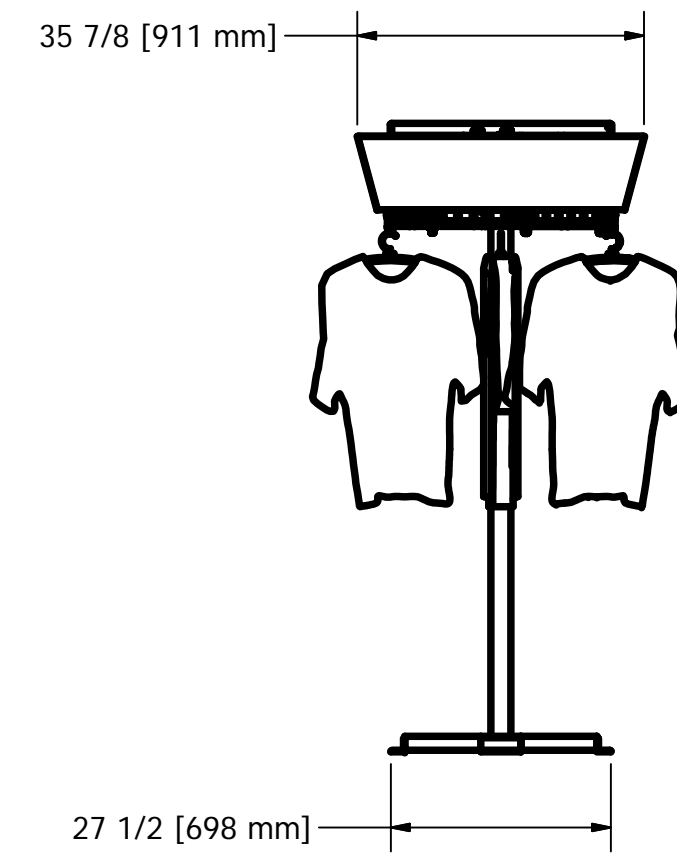
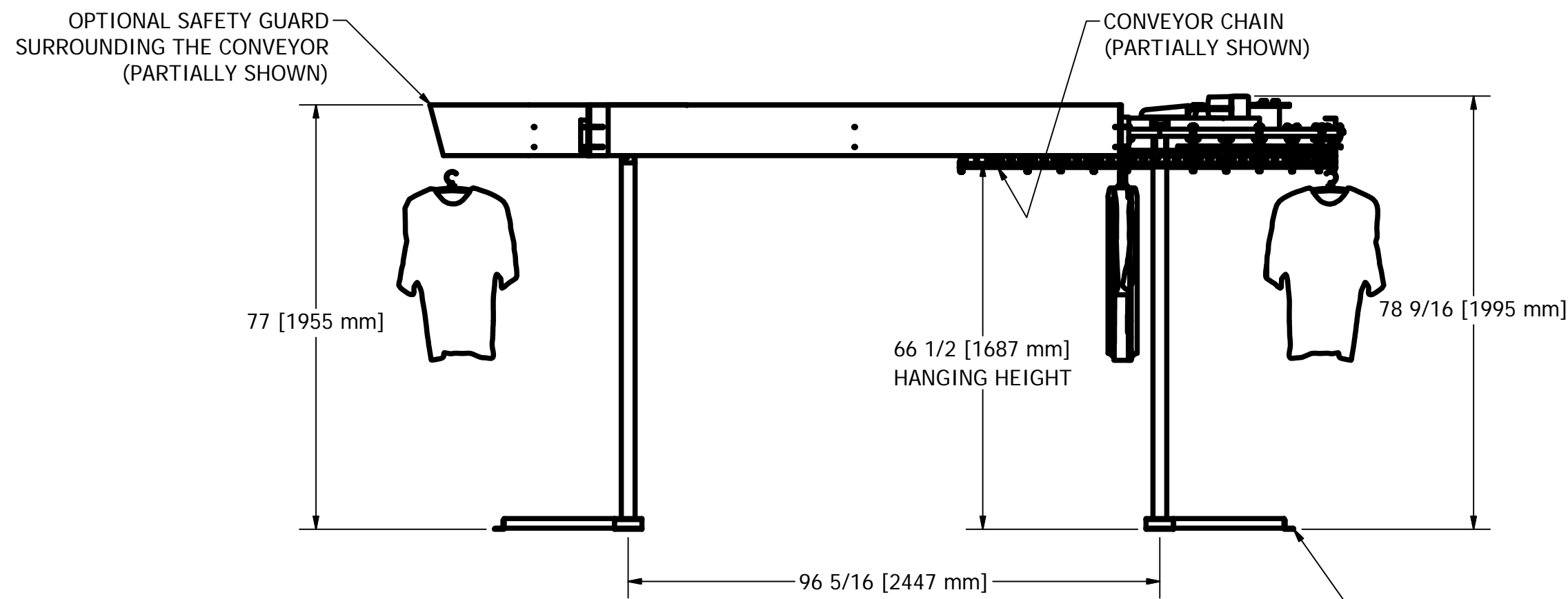
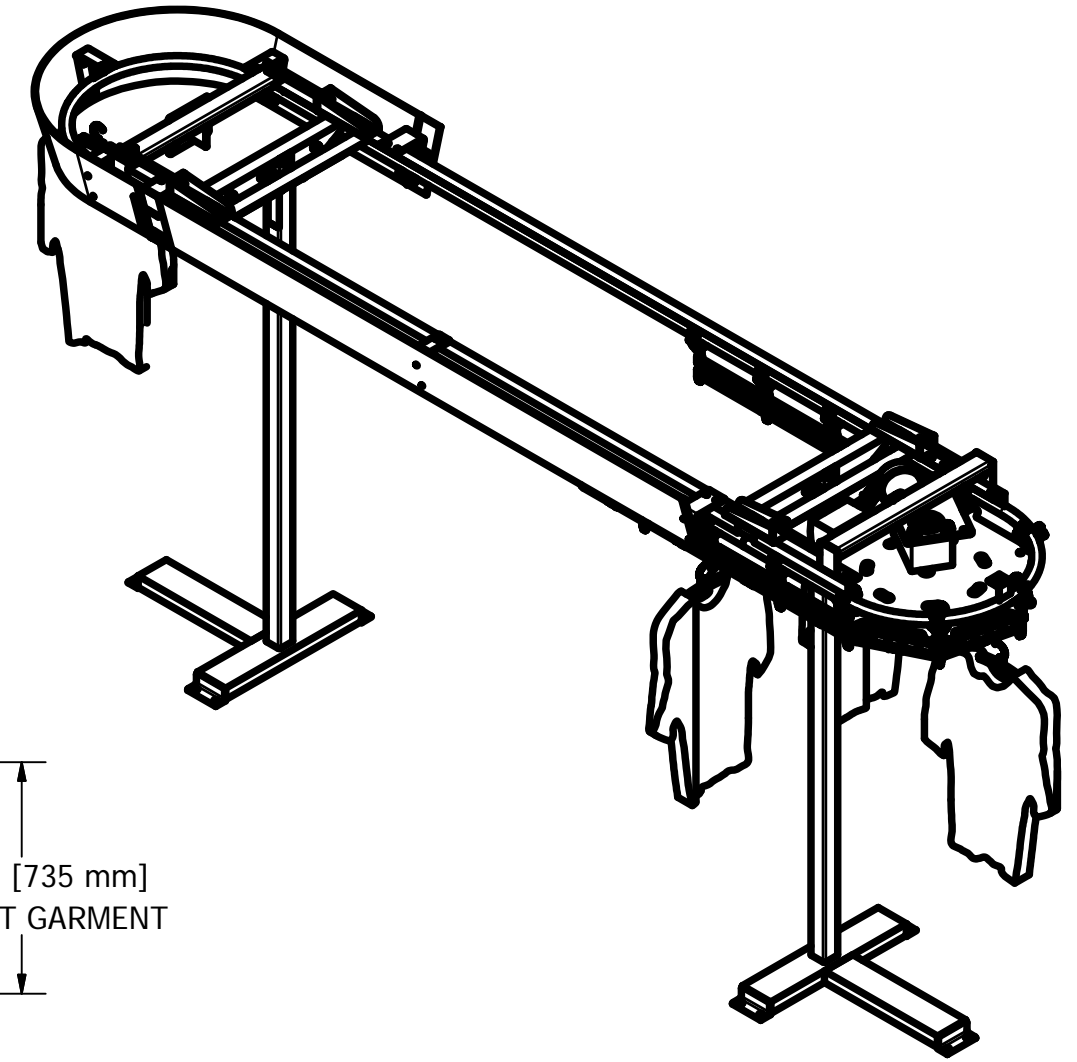
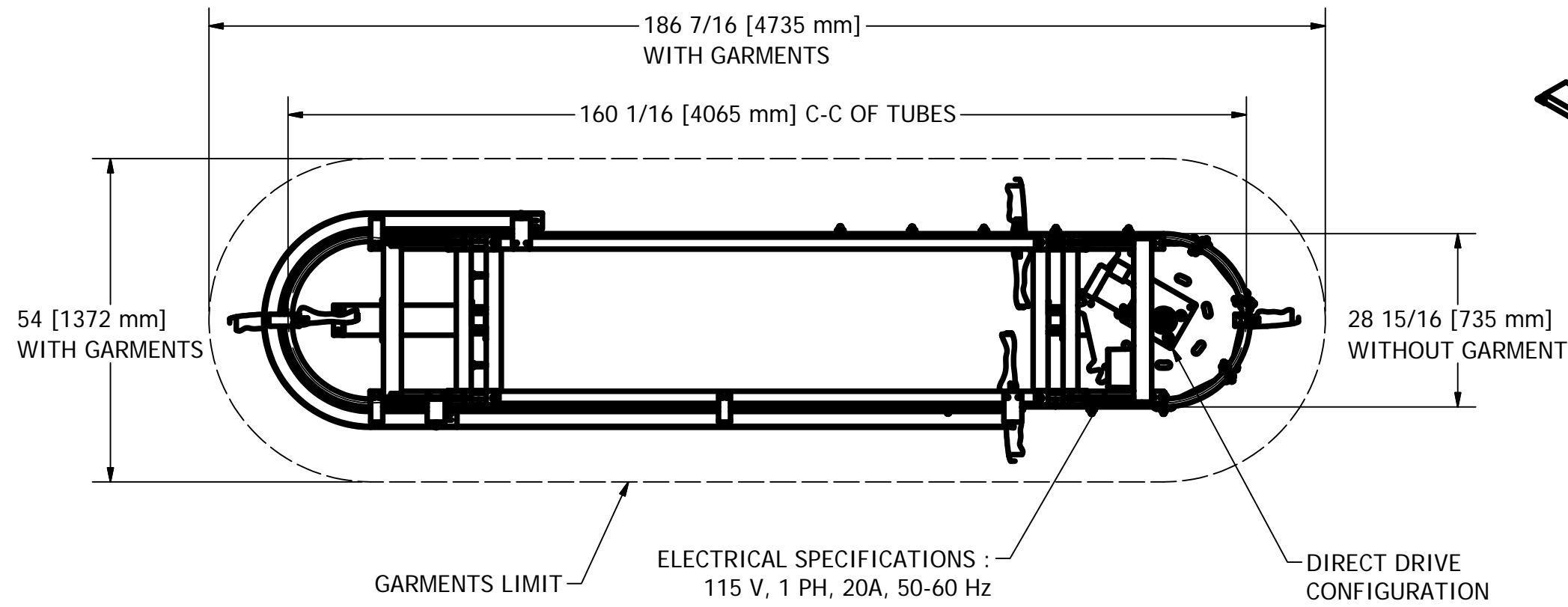


**GENERAL NOTES :**

CONVEYOR WEIGHT : 365 LB (without garment)  
 APPROX. STORAGE CAPACITY : 348 GARMENTS



3/8" x 3-3/4" CONCRETE WEDGE ANCHORS REQUIRED (HILTI KB3 OR UCAN WED OR EQUIVALENT), 2-1/2" MINIMUM EMBEDMENT, TYP.

DESIGN F. ROULEAU	DATE 8/21/2008	 www.planiform.com		
DRAWN F. ROULEAU	DATE 6/26/2009			
CHECKED	DATE			
GENERAL TOLERANCES .X +/- .030 .XX +/- .010 .XXX +/- .005 FRACTION +/- 1/16		TITLE GARMENT CONVEYOR	SCALE 1/2" = 1'-0"	REV
SIZE C	DWG NO NPF 290			