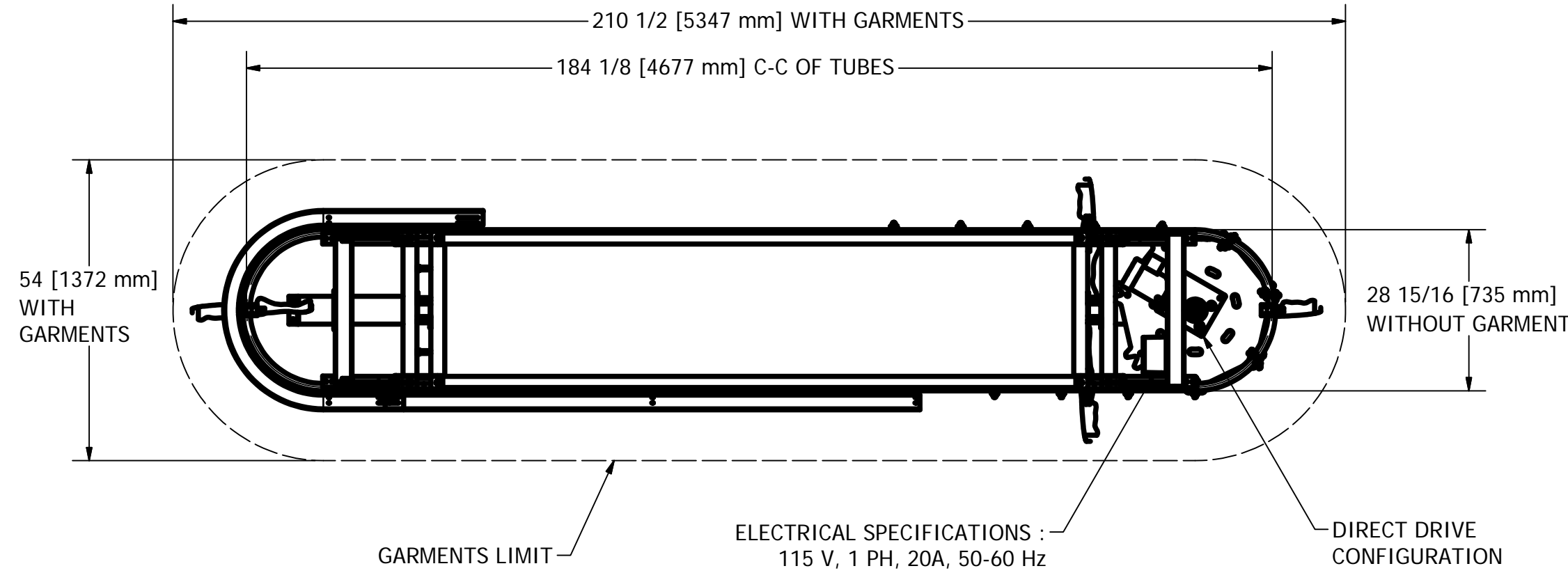
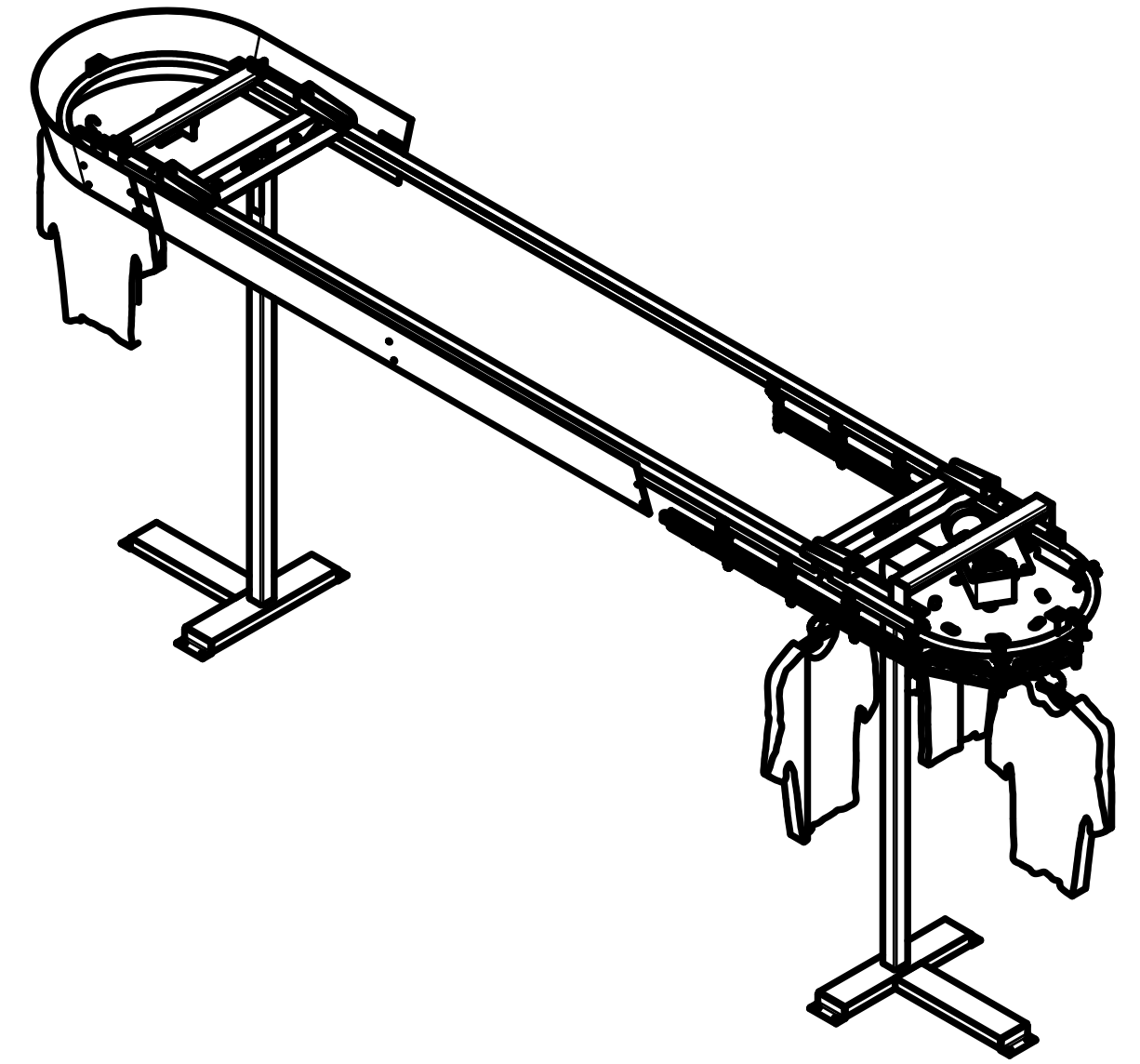


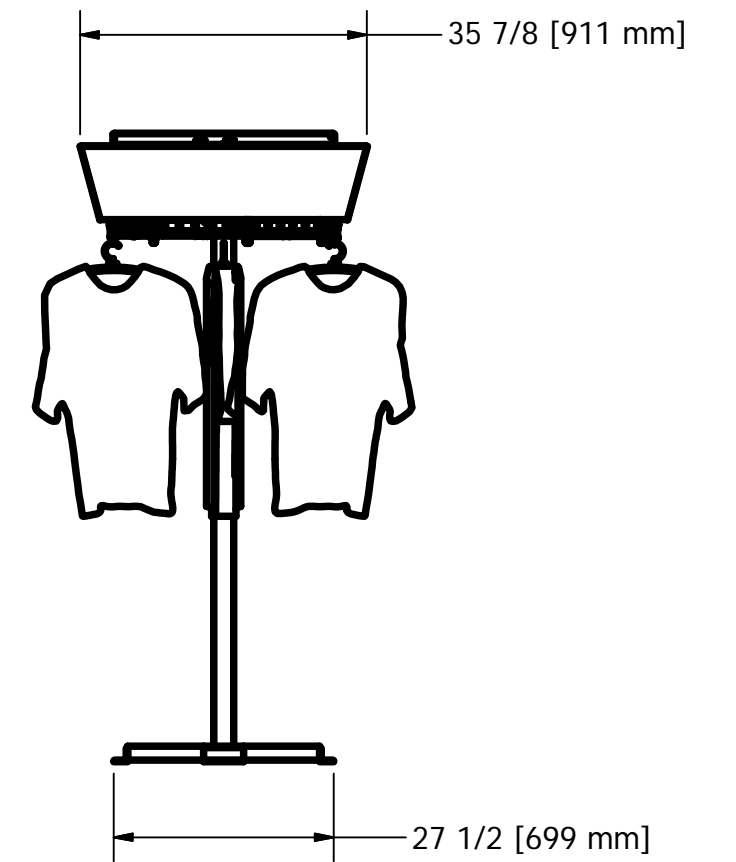
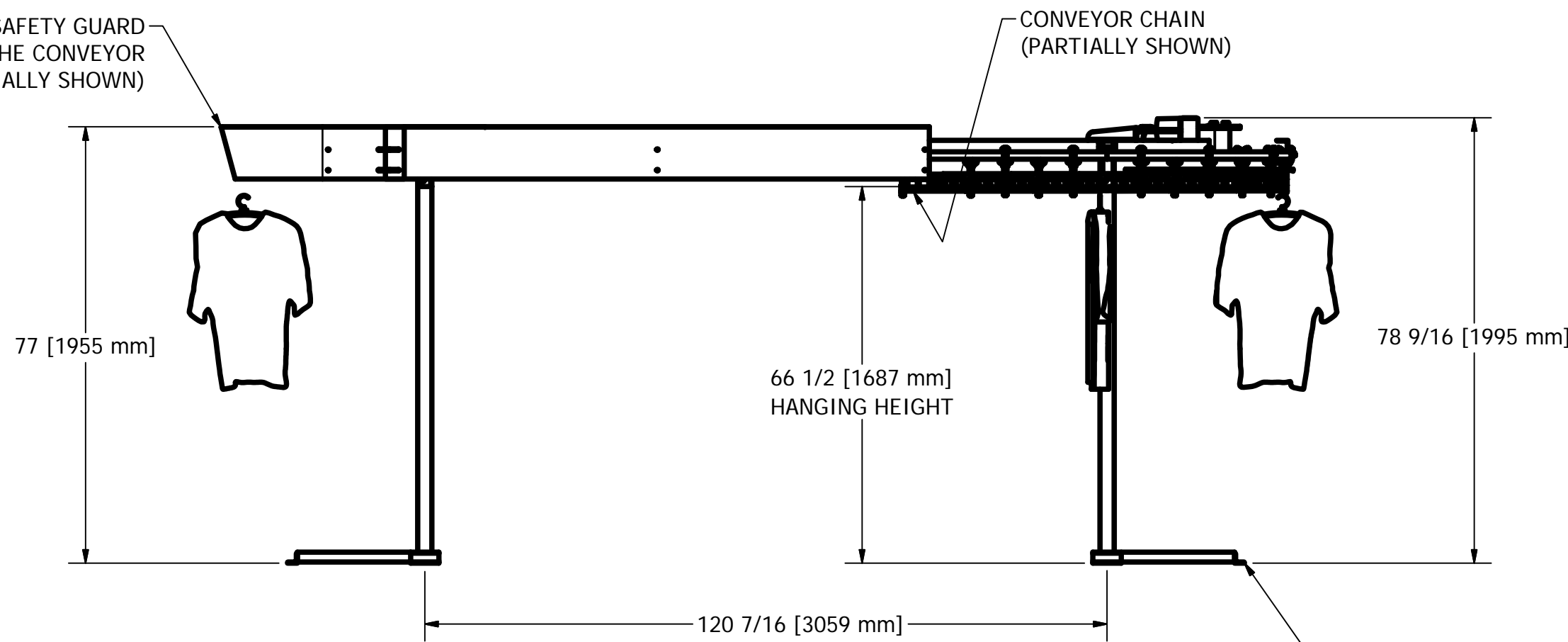
GENERAL NOTES :

CONVEYOR WEIGHT : 390 LB (without garment)
 APPROX. STORAGE CAPACITY : 396 GARMENTS



OPTIONAL SAFETY GUARD SURROUNDING THE CONVEYOR (PARTIALLY SHOWN)

CONVEYOR CHAIN (PARTIALLY SHOWN)



3/8" X 3-3/4 CONCRETE WEDGE ANCHORS REQUIRED (HILTI KB3 OR UCAN WED OR EQUIVALENT), 2-1/2" MINIMUM EMBEDMENT, TYP.

DESIGN	DATE
F. ROULEAU	8/21/2008
DRAWN	DATE
F. ROULEAU	1/12/2010
CHECKED	DATE
GENERAL TOLERANCES	
.X	+/- .030
.XX	+/- .010
.XXX	+/- .005
FRACTION	+/- 1/16

		www.planiform.com	
		TITLE	
GARMET CONVEYOR		SCALE	REV
SIZE	DWG NO	1/2" = 1'-0"	
C	NPF-330		