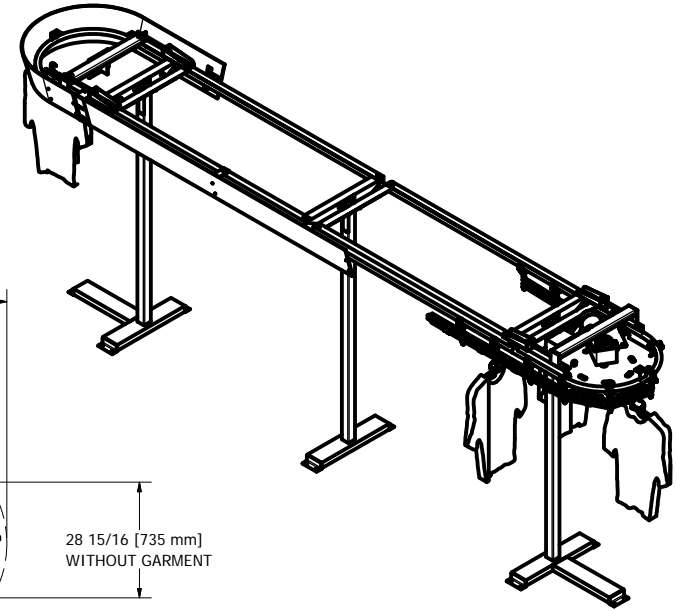
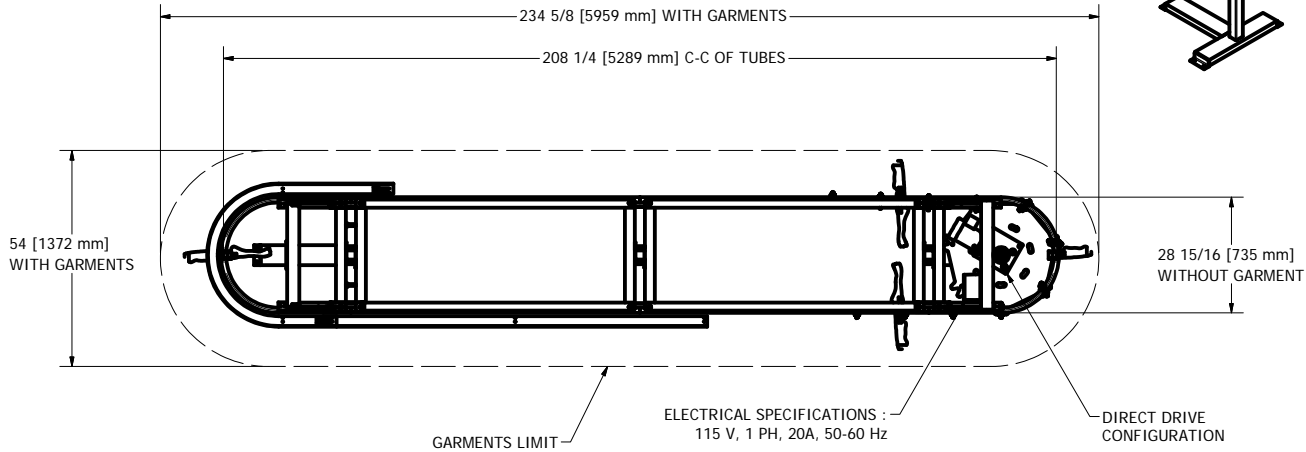
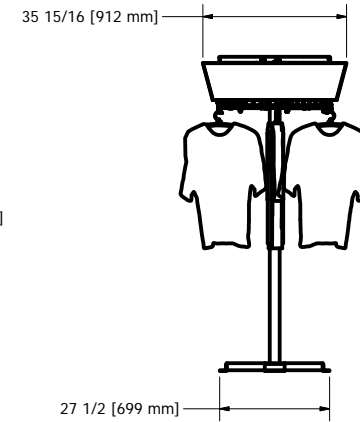
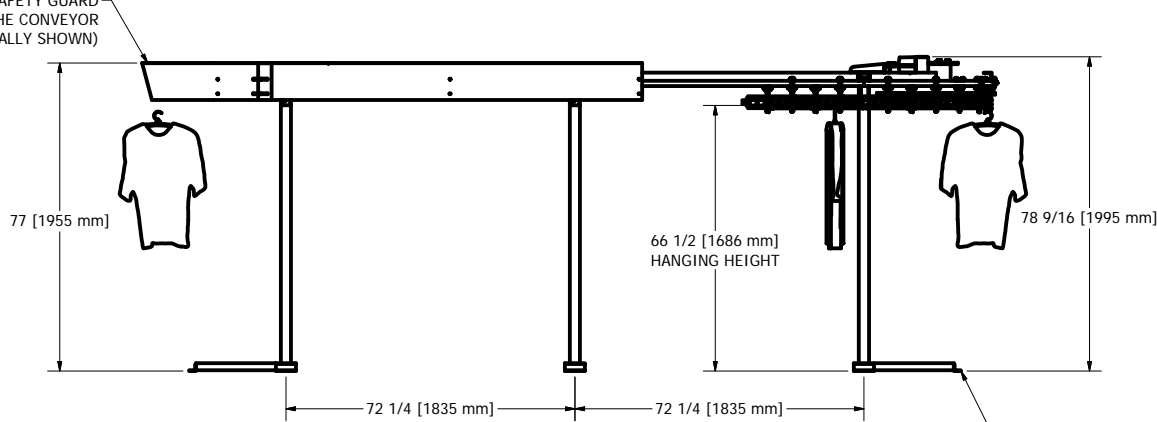


**GENERAL NOTES :**

CONVEYOR WEIGHT : 457 LB (without garment)  
 APPROX. STORAGE CAPACITY : 444 GARMENTS



OPTIONAL SAFETY GUARD  
 SURROUNDING THE CONVEYOR  
 (PARTIALLY SHOWN)



3/8" X 3-3/4 CONCRETE WEDGE ANCHORS REQUIRED  
 (HILTI KB3 OR UCAN WED OR EQUIVALENT),  
 2-1/2" MINIMUM EMBEDMENT,  
 TYP.

DESIGN	DATE
F. ROULEAU	2008-08-21
DRAWN	DATE
S. ROUS.-L.	2010-01-13
CHECKED	DATE
GENERAL TOLERANCES	
.X	+/- .030
.XX	+/- .010
.XXX	+/- .005
FRACTION	+/- 1/16

www.planiform.com		<b>Planiform</b> Conveyors	
TITLE GARMENT CONVEYOR			
SIZE	DWG NO	SCALE	REV
C	NPF-370	1/2" = 1'-0"	