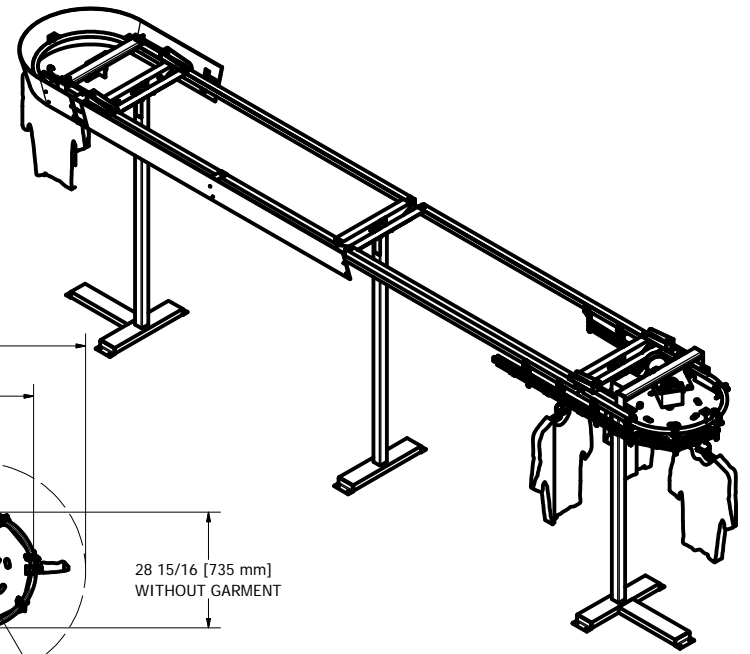
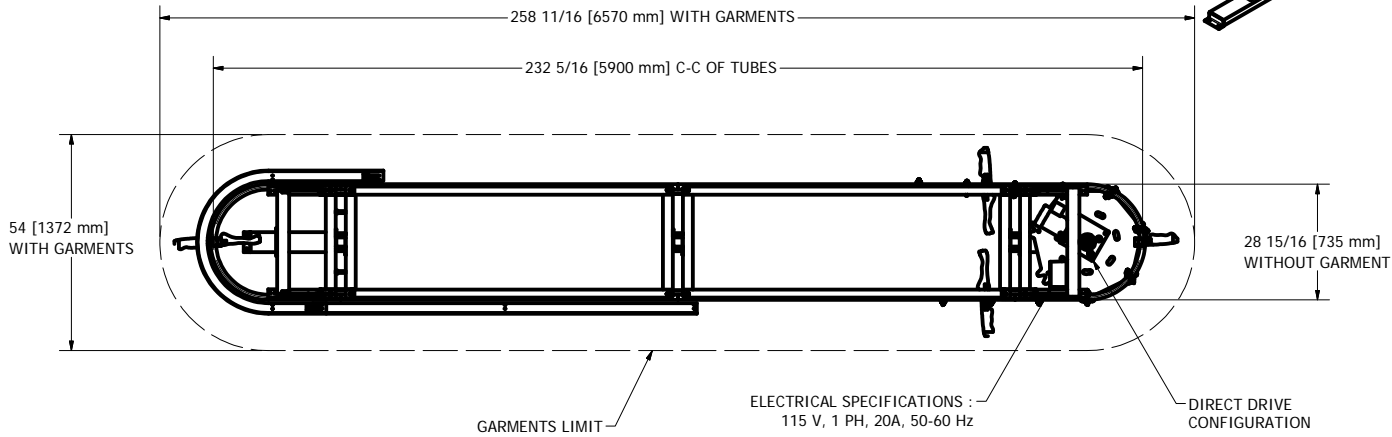


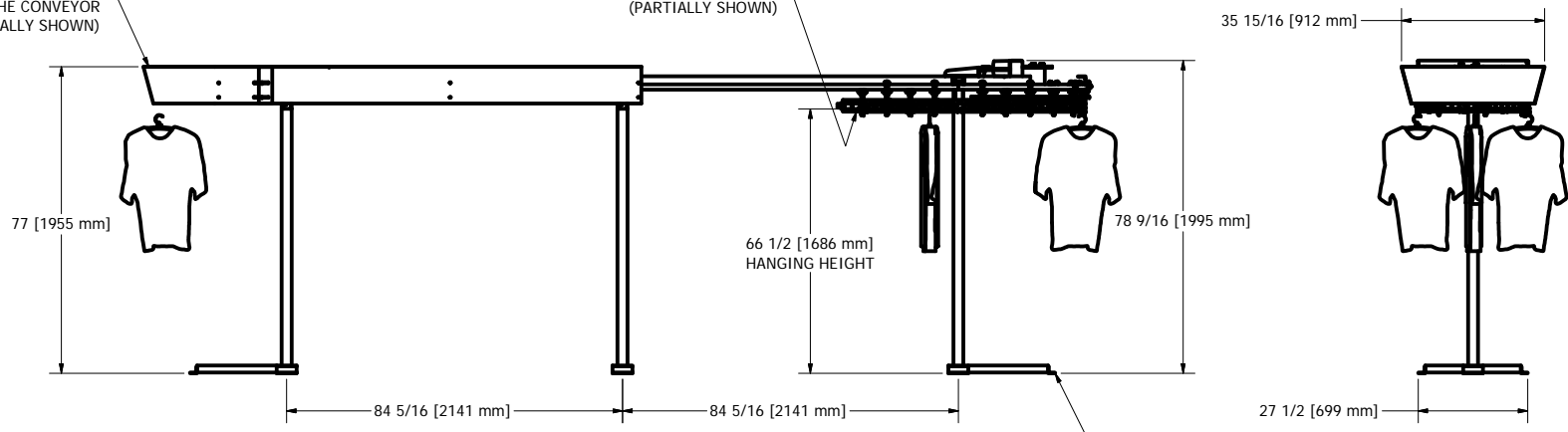
GENERAL NOTES :

CONVEYOR WEIGHT : 479 LB (without garment)
 APPROX. STORAGE CAPACITY : 492 GARMENTS



OPTIONAL SAFETY GUARD
 SURROUNDING THE CONVEYOR
 (PARTIALLY SHOWN)

CONVEYOR CHAIN
 (PARTIALLY SHOWN)



3/8" X 3-3/4 CONCRETE WEDGE ANCHORS REQUIRED
 (HILTI KB3 OR UCAN WED OR EQUIVALENT),
 2-1/2" MINIMUM EMBEDMENT,
 TYP.

DESIGN F. ROULEAU	DATE 2008-08-21
DRAWN S. ROUS.-L.	DATE 2010-01-13
CHECKED	DATE
GENERAL TOLERANCES	
.X	+/- .030
.XX	+/- .010
.XXX	+/- .005
FRACTION	+/- 1/16

		TITLE	
		GARMET CONVEYOR	
SIZE C	DWG NO NPF-410	SCALE 1/2" = 1'-0"	REV