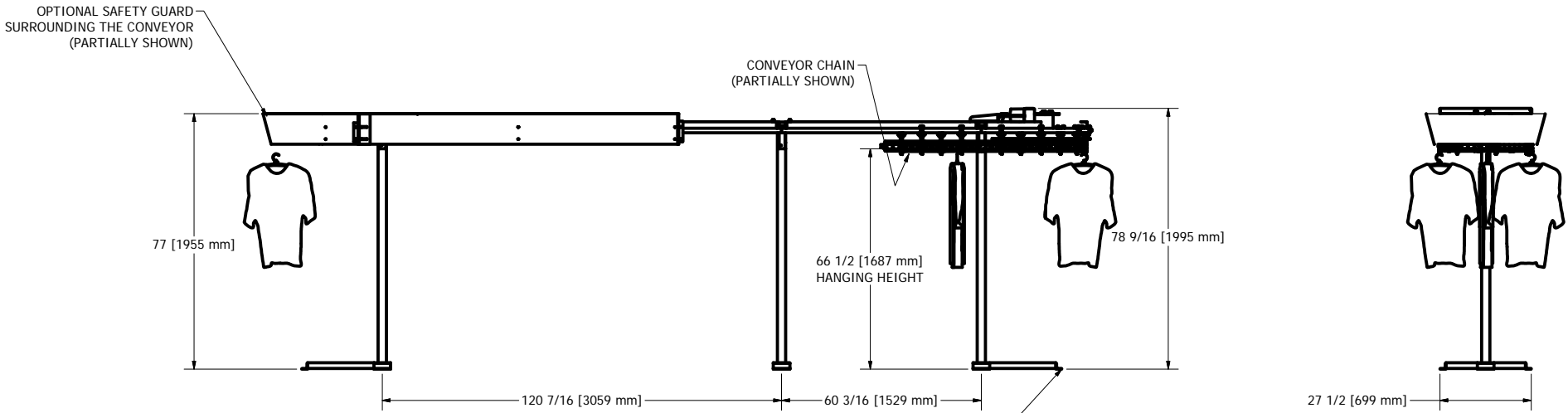
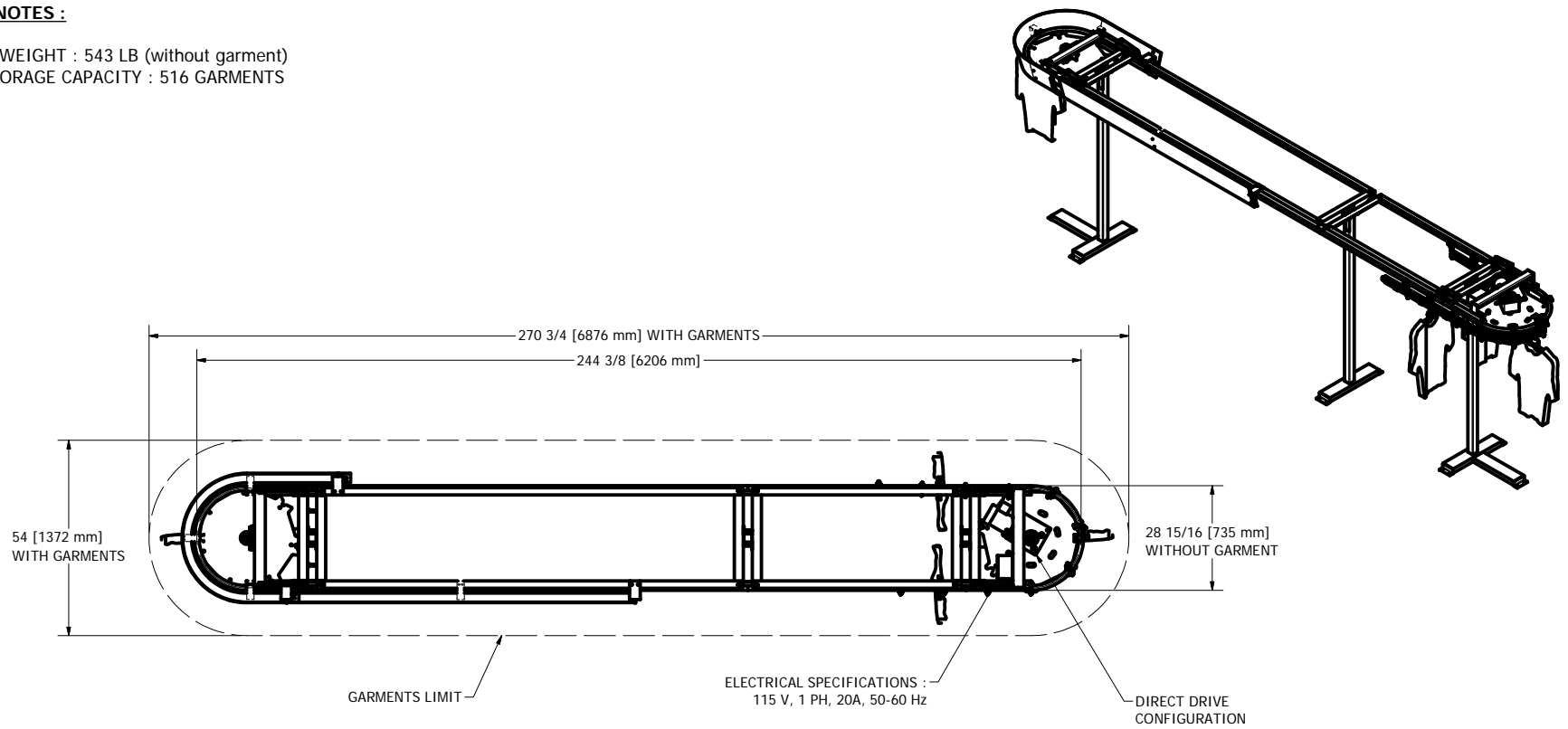


GENERAL NOTES :

CONVEYOR WEIGHT : 543 LB (without garment)
 APPROX. STORAGE CAPACITY : 516 GARMENTS



3/8" X 3-3/4 CONCRETE WEDGE ANCHORS REQUIRED
 (HILTI KB3 OR UCAN WED OR EQUIVALENT),
 2-1/2" MINIMUM EMBEDMENT,
 TYP.

DESIGN F. ROULEAU	DATE 2008-08-21		
DRAWN S. ROUS.-L.	DATE 2010-01-13		
CHECKED	DATE	www.planiform.com	
GENERAL TOLERANCES		TITLE GARMENT CONVEYOR	SCALE 1/2" = 1'-0"
.X +/- .030	.XX +/- .010	SIZE DWG NO C NPF-430	REV
.XXX +/- .005	FRACTION +/- 1/16		