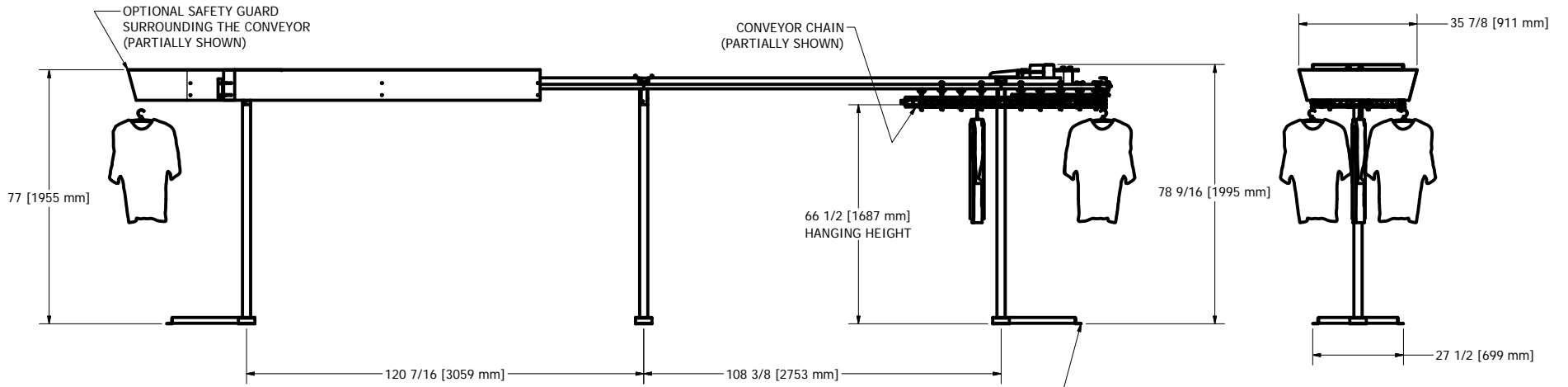
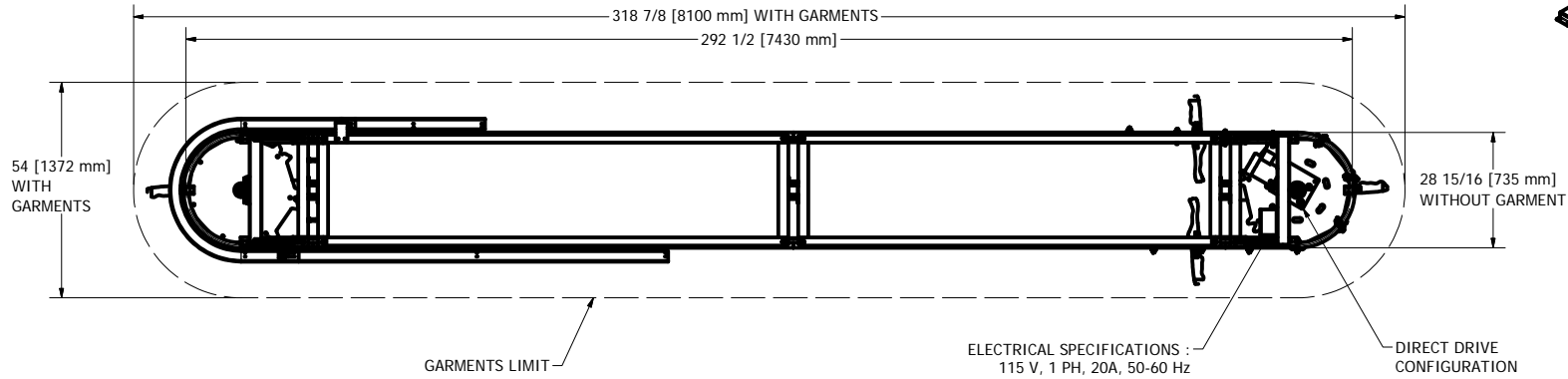
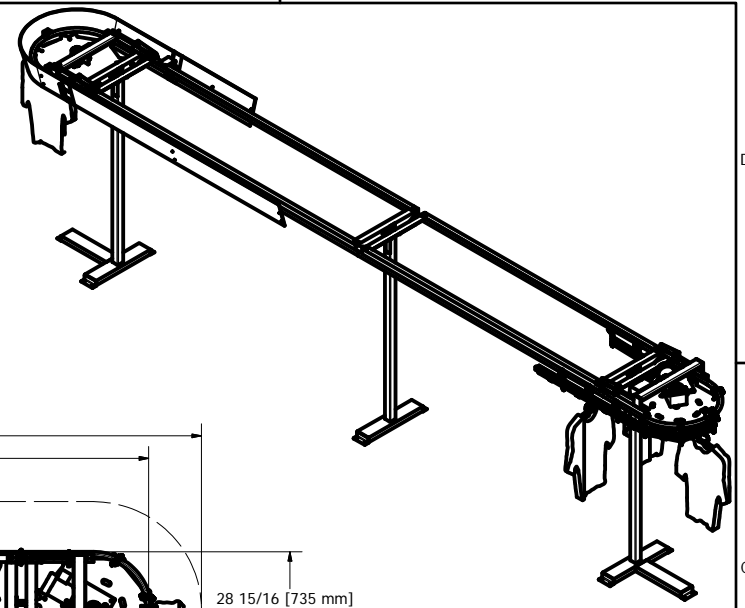


**GENERAL NOTES :**

CONVEYOR WEIGHT : 590 LB (without garment)  
 APPROX. STORAGE CAPACITY : 612 GARMENTS



3/8" X 3-3/4 CONCRETE WEDGE ANCHORS REQUIRED (HILTI KB3 OR UCAN WED OR EQUIVALENT), 2-1/2" MINIMUM EMBEDMENT, TYP.

DESIGN	DATE
F. ROULEAU	8/21/2008
DRAWN	DATE
S. ROUS.-L.	1/13/2010
CHECKED	DATE
GENERAL TOLERANCES	
.X	+/- .030
.XX	+/- .010
.XXX	+/- .005
FRACTION	+/- 1/16

**Planiform**  
Conveyors

www.planiform.com

TITLE  
**GARMENT CONVEYOR**

SIZE	DWG NO	SCALE	REV
C	NPF-510	1/2" = 1'-0"	