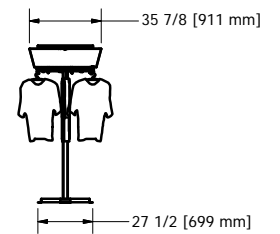
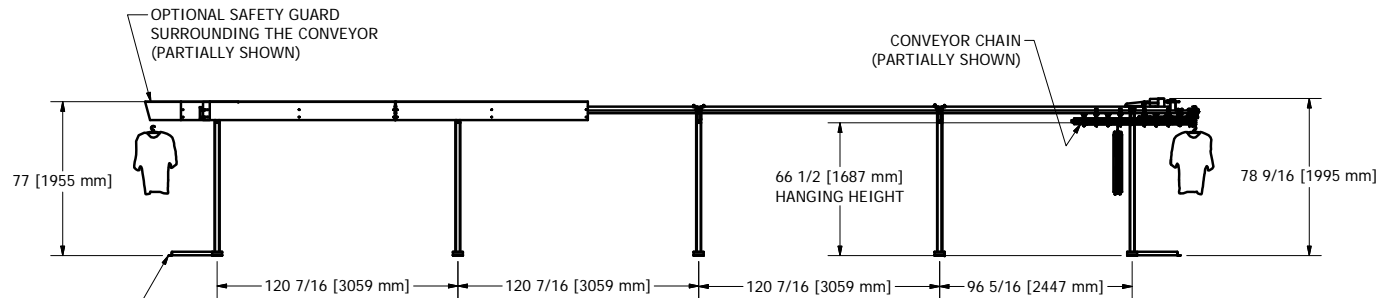
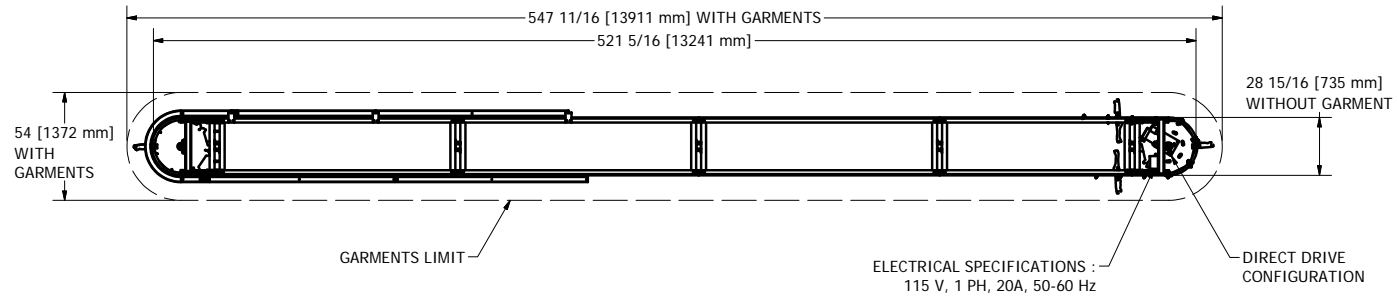
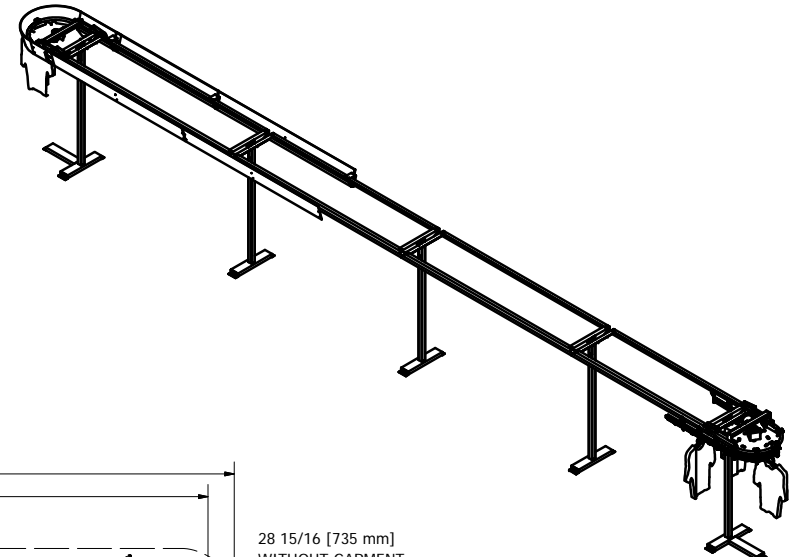


GENERAL NOTES :

CONVEYOR WEIGHT : 890 LB (without garment)
 APPROX. STORAGE CAPACITY : 1068 GARMENTS



DESIGN F. ROULEAU	DATE 1/18/2010	Planiform Conveyors	www.planiform.com	
DRAWN S. ROUS.-L.	DATE 1/18/2010		TITLE GARMENT CONVEYOR	
CHECKED	DATE		SIZE C	DWG NO NPF-890
GENERAL TOLERANCES		REV		
.X +/- .030				
.XX +/- .010				
.XXX +/- .005				
FRACTION +/- 1/16				